

Track Rollers in X-life Quality

Series LR52, LR53

SCHAEFFLER

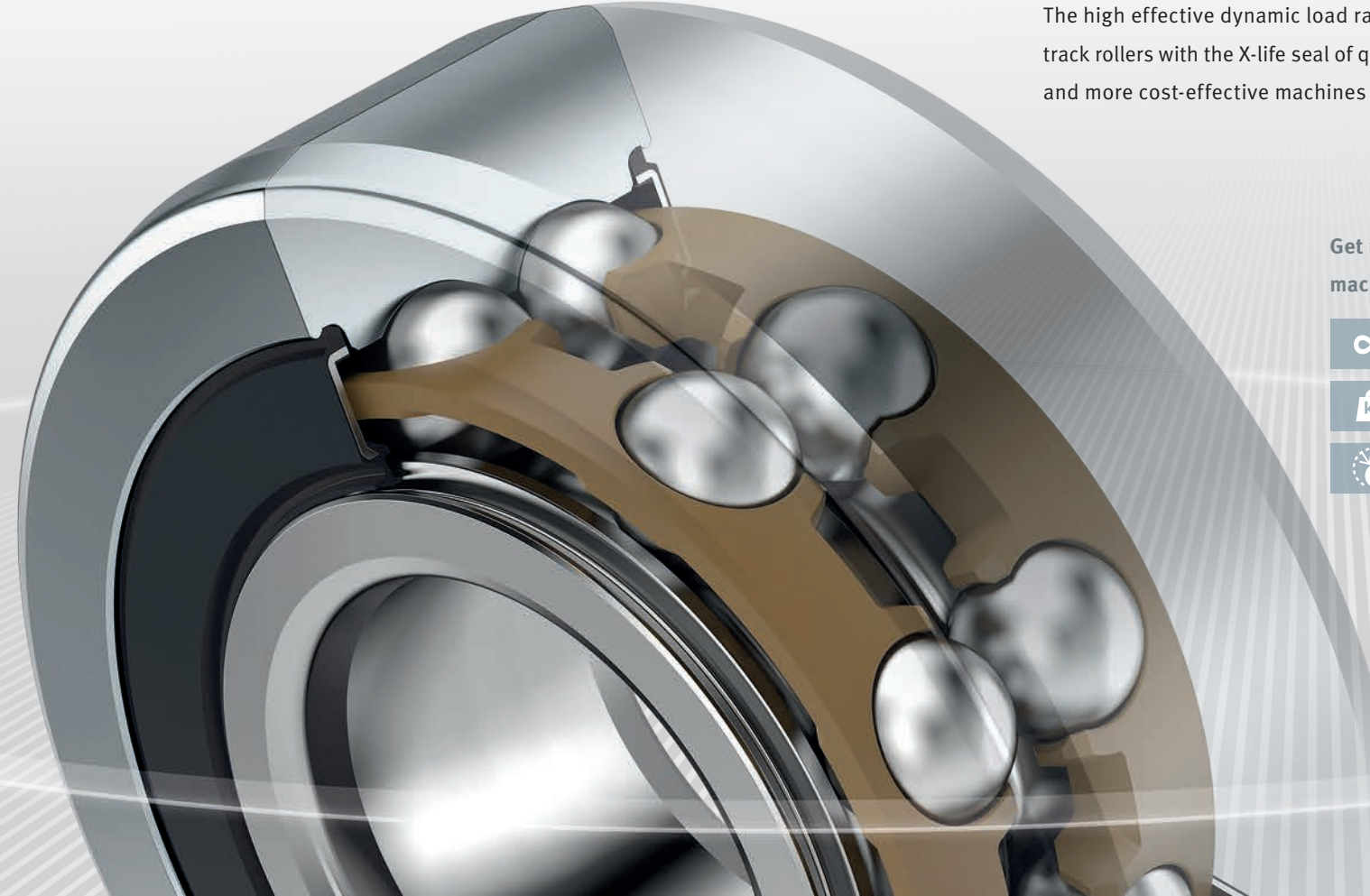


INA Track Rollers. Now in X-life Quality

The improved INA LR52 and LR53 X-life track rollers are double row, self-retaining units with particularly thick-walled outer rings. Thanks to the optimized internal construction, higher radial loads can be transmitted and a longer operating life achieved.

The external dimensions of the new bearings have not changed, which means they can replace earlier bearings without difficulty.

- Higher load-carrying capacity →
- Improved protection against contamination →
- Large grease reservoir →
- Low bearing temperatures →
- Minimal lubricant stress →
- Downsizing possible →



Lasts Longer.

X-life is the seal of quality for particularly high-performance products from the INA and FAG brands. They are characterized by a longer rating and operating life – the result of higher dynamic load ratings than those of current standard products.

The high effective dynamic load rating is the key advantage of our track rollers with the X-life seal of quality – for higher-capacity designs and more cost-effective machines and systems.



Get more value out of your machines and equipment.

- ∞ X times longer service life
- kg X times greater load-carrying capacity
- ⚙️ X times more efficient use of space



▶ www.schaeffler.com/X-life

New Seals for Greater Efficiency

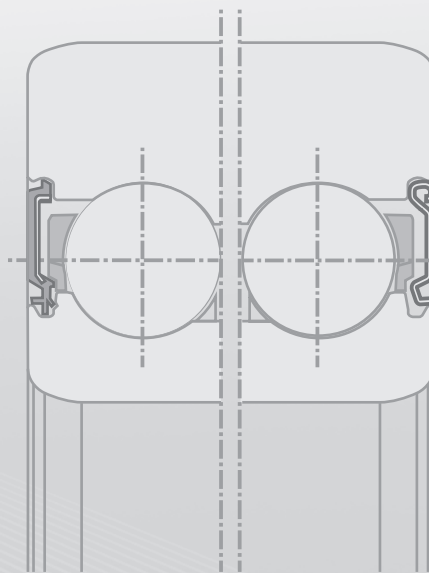
While optimizing the internal construction, we also overhauled the sealing concept. The INA LR52 and LR53 track rollers are supplied with the HRS seal as standard, or alternatively with a new Z seal. Both seals offer a considerably improved sealing action compared to the previous design.

HRS seal

- Innovative lip contact design
- Axial contact between inner ring and seal lip
- Keeps grease in bearing and contaminants out
- DEHP-free

Customer benefits

- Longer bearing life
- Protection against contaminants and moisture
- Less friction and lower bearing temperature
- Long grease operating life and lubrication for entire operating life possible
- Increased speed limits



Z seal

- Optimized Z sealing shield with labyrinth sealing function
- Function of inner and outer ring adapted for Z shield
- Wider operating temperature range possible when combined with a steel cage and adapted greasing

Customer benefits

- Long bearing life
- Increased protection against the ingress of contaminants
- Long grease operating life

**Cost-effective
Reliable
Energy-saving**

The improved INA LR52 and LR53 track rollers feature numerous design details that result in up to 10% higher dynamic load ratings and up to 15% higher static load ratings.



Comparison of the dynamic load rating with that of the next best competitor

-
- A detailed cross-section of a track roller, showing the outer ring, internal balls, cage, and seal design. The roller is shown in a perspective view, highlighting its curved shape and the arrangement of the internal components.
- ← Unchanged outside diameter
 - ← Reinforced outer ring
 - ← Optimized internal construction
 - ← Contact angle optimized for a high load-carrying capacity
 - ← Innovative seal design. Also available with improved steel sealing shield
 - ← Optimized polyamide cage. Robust and rigid steel cage available as an alternative
 - ← Increased speed limits

Schaeffler Technologies AG & Co. KG

Industriestrasse 1 – 3
91074 Herzogenaurach
Germany
Internet www.schaeffler.com
E-Mail info@schaeffler.com

In Germany:

Phone 0180 5003872
Fax 0180 5003873

From other countries:

Phone +49 9132 82-0
Fax +49 9132 82-4950

Every care has been taken to ensure the correctness of the information contained in this publication but no liability can be accepted for any errors or omissions. We reserve the right to make technical changes.

© Schaeffler Technologies AG & Co. KG
Issued: 2015, September

This publication or parts thereof may not be reproduced without our permission.